








# Order form Sunbreaker 210 moveable

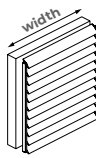
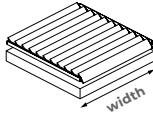
For order number:

### 1. Select the type of blade and plugs

 TYP A	 universal
 TYP B	 universal*
	 TYP B

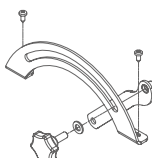
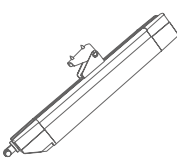
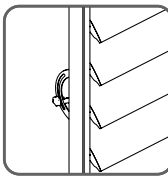
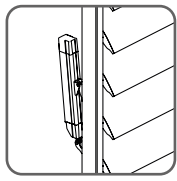
\*does not cover the entire surface of the blade

### 2. Specify how the system is to be installed

 wall-mounted horizontal	 roof
--	---

The SUNBREAKER 210 system can be installed in a niche 3or on a substructure. NO BRACKETS FOR FAÇADE MOUNTING!!!

### 3. Select drive type

	
 MANUAL DRIVE	 LINEA ENGINE

### 4. On which blade is to be mounted the lever for the drive, counting from the bottom

It is not possible to mount a drive on the last upper blade

Determine on which blade it is to be mounted on drive lever from the bottom. A blank field indicates standard mounting, at half height.

It is not possible to mount a drive on the first blade








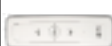


Direction of blade numbering

1 2 3 ...

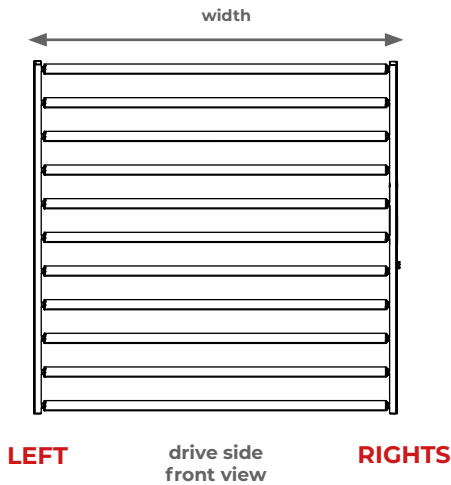
### 5. Choose your colours

	BEIGS				WHITES		DARK GREY				ANTHRACITS					BLACK				BLACK	BRONZE			OTHER COLOUR RAL			
COLOUR FROM SELT COLLECTION	VSR 240	RAL 1015	RAL 1013	RAL 9001	RAL 9010	RAL 9016	RAL 7035	RAL 9006	RAL 7001	RAL 7037	RAL 9007	RAL 7012	DB 703	FSM 71319	RAL 7015	RAL 7039	RAL 7024	RAL 7016	RAL 7021	RAL 7043	RAL 7022	RAL 9005	RAL 8014	RAL 8016	VSR 780	RAL 8003	
Construction Colour																											
PVC Parts Colour																											

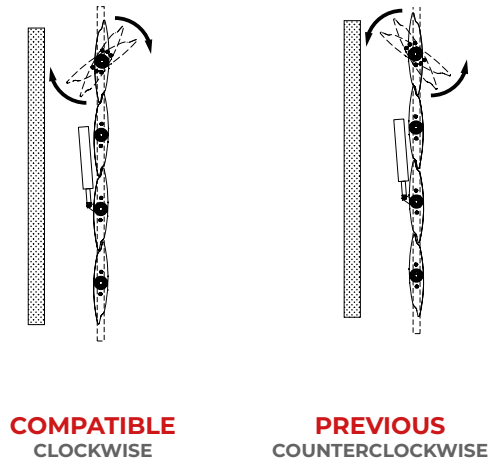
### 6. Automation

6.1. Wired control			6.2. Somfy RTS radio control			6.3. Somfy IO radio control		
	INIS switch flush mounted (RT)	<input type="checkbox"/>		Remote control receiver flush mounted Universal Receiver RTS (FD)	<input type="checkbox"/>		Remote control receiver Pergola remote control receiver Slim receiver io (NT)	<input type="checkbox"/>
	INIS WT switch with surface frame (RU) flush mounted (RT)	<input type="checkbox"/>		Remote control receiver Universal Slim Receiver RTS Stak3/Stas3 (FD)	<input type="checkbox"/>		Single-channel remote control Situo 1 io PURE II (3M)	<input type="checkbox"/>
	Smooove switch UNO WT p/t flush mounted (RV) with surface frame (RU) flush mounted (RT)	<input type="checkbox"/>		Single-channel remote control Situo 1 PURE (FP)	<input type="checkbox"/>		Five-channel remote control Situo 5 io PURE II (3S)	<input type="checkbox"/>
				Five-channel remote control Situo 5 PURE (FU)	<input type="checkbox"/>			

7. Determine on which side the drive is to be positioned



8. Determine the direction of rotation of the blades



In the case of wall mounting, the above drawings is to be interpreted as the front view of the system (as seen from outside the building). In the case of roof assembly, the above drawing shows top view.

The figure shows a view of the closed system on the left. You can choose between feathers that open clockwise or counterclockwise determining the this way determining the opening side of the feathers.

9. Specify the dimensions, number and drive side and direction of opening of the blades.

QUANTITY [szt.]	WIDTH [mm]	HEIGHT [mm]	DRIVE SIDE LEFT/RIGHT	DIRECTIONS OF OPENING THE BLADES CLOCKWISE / COUNTERCLOCKWISE	DRIVE MANUAL/MOTOR	DRIVE LEVER CONNECTION BLADE NUMBER
1						
2						
3						
4						
5						
6						
7						

Mounting of the SUNBREAKER 210 moving system can be carried out in a niche or on a substructure. **NO BRACKETS FOR FAÇADE MOUNTING!!!**

**Delivery address:**

The Buyer hereby declares that they speak fluent English, understand the statements received and submitted in English, orders submitted, and to have read and accepted General Sales Terms and Conditions, General Warranty Terms and Conditions, Technical-operational documentation and Declaration of performance for external systems, Declaration of Conformity for systems with motor drive and information on safety elements installation for internal systems operated with cord and ball chain, available at [www.selt.com/doc-en](http://www.selt.com/doc-en).

**COMPANY:**      **DATE:**      **SIGNATURE:**

**Notes:**